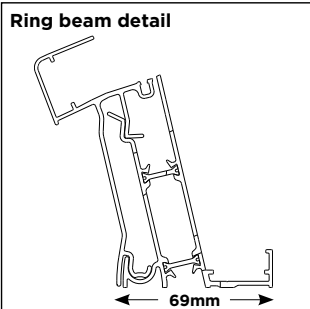


# Korniche QUOTE

## ALUMINIUM ROOF LANTERN

**Contact:** -----  
**Company:** -----  
**Address:** -----  
**Postcode:** -----  
**Telephone:** ----- **Fax:** -----  
**Mobile:** ----- **Email:** -----

<p>DRAW LANTERN ROOF IN PLAN VIEW. PLEASE PROVIDE <b>EXTERNAL EAVES BEAM SIZES ENSURING THE OUTSIDE OF THE EAVES BEAM SITS FLUSH WITH YOUR EXTERNAL UPSTAND.</b></p>	<b>JOB REFERENCE:</b>	
	<b>DETAILS:</b>	
	<b>EXTERNAL COLOUR:</b>	<b>INTERNAL COLOUR:</b>
	<b>Standard</b> (All the same cost)	
	<b>White GLOSS</b>  <b>Black MATT RAL 9005</b>	<b>Grey RAL 7016 MATT</b>  <b>Black MATT RAL 9005</b>
	<b>Bespoke</b> (Additional cost)	
	<b>RAL Colour:</b>	<b>RAL Colour:</b>
	<b>EXTERNAL EAVES SIZES</b>	
	<b>WIDTH:</b>	<b>PROJECTION:</b>
	<b>GLASS OPTIONS</b>	
UNGLAZED	Ambi Neutral 1.2	
Ambi Blue 1.2	Sunshine Blue 1.0	
Ambi Aqua 1.0	Ambi Bronze 1.2	
Clear Self Clean 1.2		
<b>FINIALS REQUIRED</b>		
	Ball      None	
<b>SITE DELIVERY POSTCODE:</b> (for load calculation purposes only)		
<b>EXTRA'S REQUIRED / COMMENTS:</b>		



**Korniche is a 25 degree fixed pitch**  
  
 TO COMPLETE A DIGITAL VERSION OF THIS FORM - CLICK ON THE BOX ABOVE TO UPLOAD A SKETCH / DRAWING AS PDF, JPEG OR PNG FILE

[EMAIL QUOTE](#)    [PRINT QUOTE](#)    [CLEAR FORM](#)

FAXBACK **01642 615854**

**Tel: 01642 610799**      **Email: sales@korniche.co.uk**