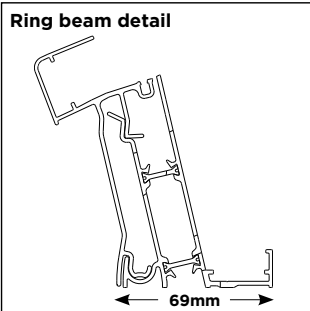


# Korniche QUOTE

## ALUMINIUM ROOF LANTERN

**Contact:** -----  
**Company:** -----  
**Address:** -----  
-----  
**Postcode:** -----  
**Telephone:** ----- **Fax:** -----  
**Mobile:** ----- **Email:** -----

<p>DRAW LANTERN ROOF IN PLAN VIEW. PLEASE PROVIDE THE EXTERNAL DIMENSIONS OF YOUR UPSTAND AND THE FITTED WATER PROOF MEMBRANE WITH A RECOMMENDED ADDITIONAL 12mm TO BOTH LENGTH AND WIDTH ALLOWING A 6mm OVERHANG</p> <p style="text-align: center; color: grey;">Click here to upload a drawing</p>	<b>JOB REFERENCE:</b>	
	<b>EXTERNAL COLOUR:</b>	<b>INTERNAL COLOUR:</b>
	Standard (All the same cost)	
	<b>White GLOSS</b>  <b>Black MATT RAL 9005</b>	<b>Grey RAL 7016 MATT</b>  <b>Black MATT RAL 9005</b>
	Bespoke (Additional cost)	
	<b>RAL Colour:</b>	<b>RAL Colour:</b>
	<b>EXTERNAL EAVES SIZES</b>	
	<b>WIDTH:</b>	<b>PROJECTION:</b>
	<b>GLASS OPTIONS</b>	
	UNGLAZED Ambi Blue 1.2 Ambi Aqua 1.0 Clear Self Clean 1.2	Ambi Neutral 1.2 Sunshine Blue 1.0 Ambi Bronze 1.2
<b>FINIALS REQUIRED</b>	Ball      None	
<b>SITE DELIVERY POSTCODE:</b> (for load calculation purposes only)		
<b>EXTRA'S REQUIRED / COMMENTS:</b>		
<a href="#">PRINT QUOTE</a> <a href="#">CLEAR FORM</a>		



**Korniche is a 25 degree fixed pitch**

TO COMPLETE A DIGITAL VERSION OF THIS FORM - CLICK ON THE BOX ABOVE TO UPLOAD A SKETCH / DRAWING AS PDF, JPEG OR PNG FILE

FOR FURTHER INFORMATION ON SURVEYING & QUOTE DETAILS SEE OUR WEBSITE: [www.madefortrade.co](http://www.madefortrade.co)

**Complete this form and email to [sales@madefortrade.co](mailto:sales@madefortrade.co)**